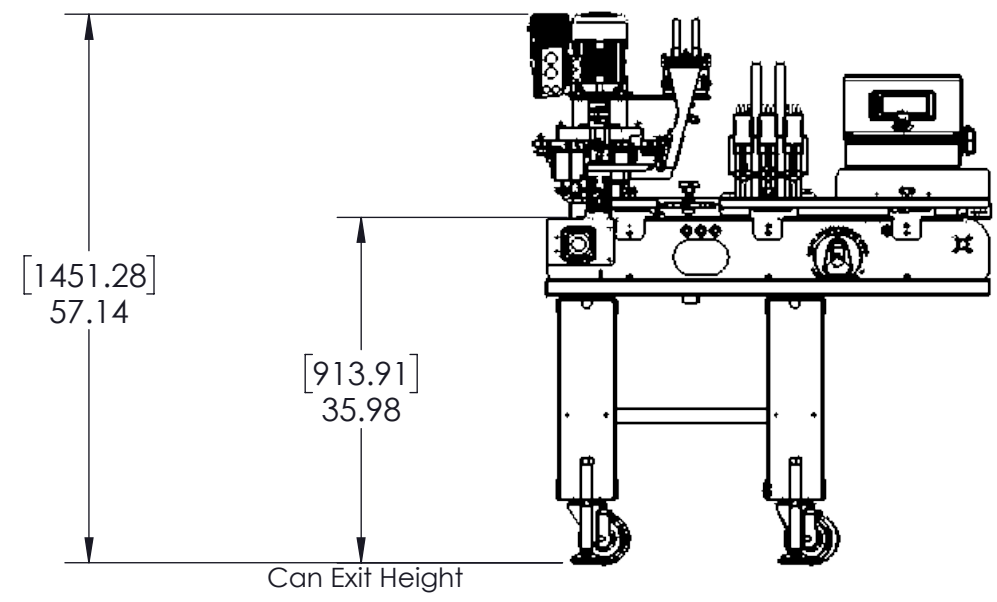
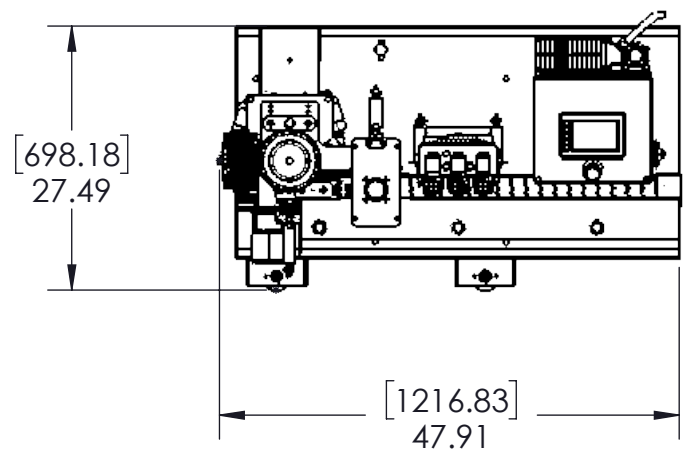
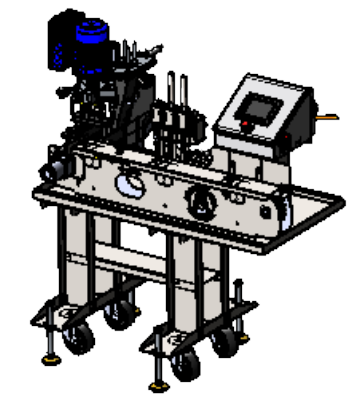


8 7 6 5 4 3 2 1

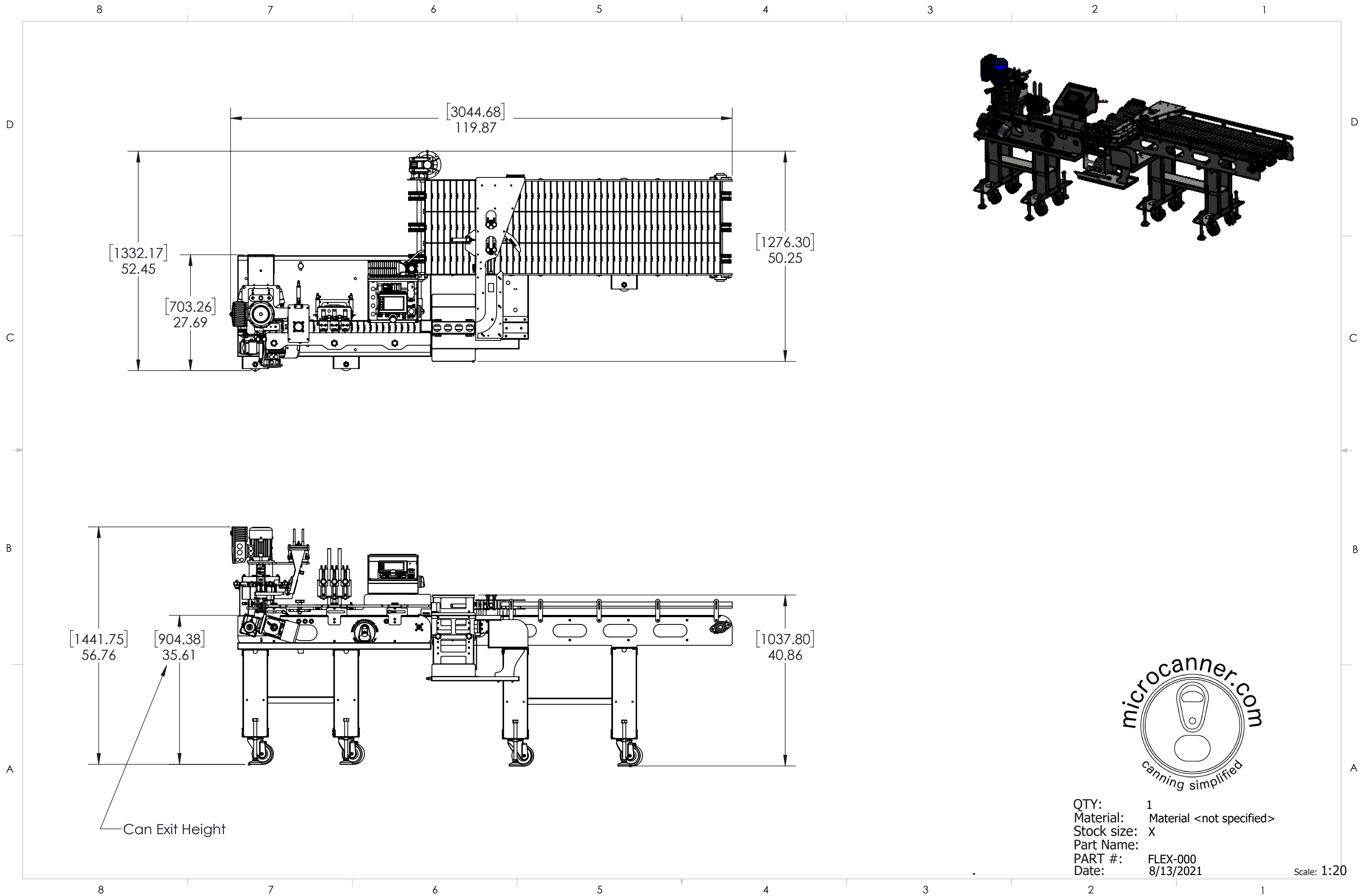
D
C
B
A



QTY: 1
Material: Material <not specified>
Stock size: X
Part Name:
PART #: FLEX-000
Date: 9/27/2023

Scale: 1:20

8 7 6 5 4 3 2 1



QTY: 1
 Material: Material <not specified>
 Stock size: X
 Part Name:
 PART #: FLEX-000
 Date: 8/13/2021

Scale: 1:20